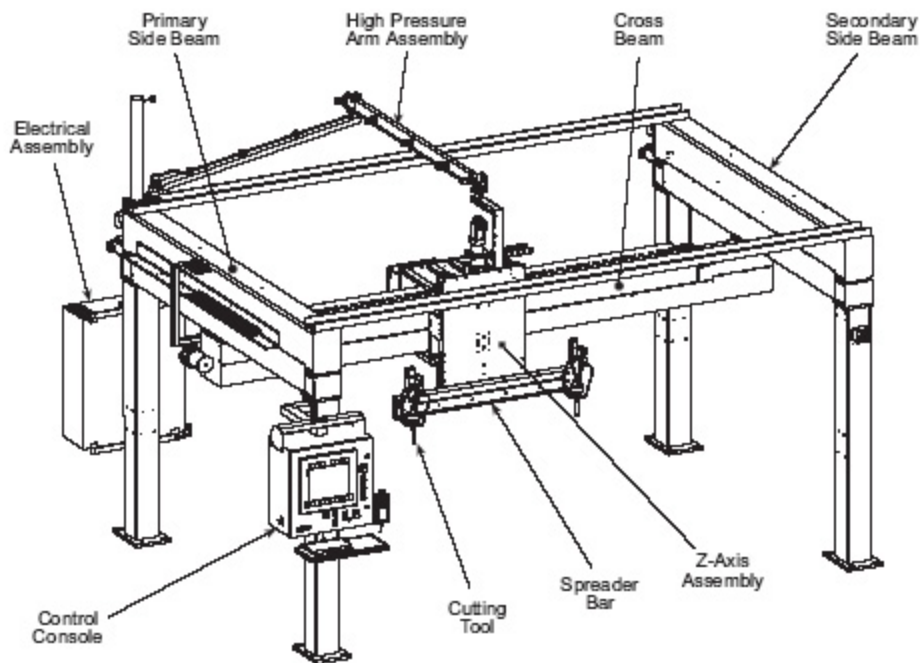


# Major Components



## Major Components

Component	Description
Control console	Provides the operator interface for the high rail motion control system.
Side beams	Two side beams provide front-to-rear of movement of the cross beam.
Electrical assembly	Contains the electronic controls and connections for the high rail components.
High pressure arm assembly	Routes ultra high water pressure from an intensifier pump to the z-axis assembly where it is distributed to the cutting tools.
Cross beam	Provides side-to-side movement of the z-axis assembly.
Z-axis assembly	Provides the up and down movement for the cutting tools.
Cutting tool	Waterjets and abrasivejets are the most common cutting tools, other types of tools can also be used.
Catch tank (not shown)	Collects the water and debris from the cutting tools. The catch tank also supports the material to be cut.